

SERVICE INFO



Camshaft phasing unit for Opel/Vauxhall 427 1004 10 and 427 1005 10

Vehicle manufacturers:	Opel, Vauxhall
Models:	
Opel:	Astra H, Insignia, Signum, Vectra C, Zafira
Vauxhall:	Insignia, Vectra Mk II, Zafira Mk II
Engines:	1.6 (Z16XER) 1.8 (Z18XER)
OE Nos.:	(1) 56 36 632 / 55567049 (2) 56 36 631 / 55567048 (3) 56 36 971 / 12992403
Part Nos.:	(1) 427 1004 10 (2) 427 1005 10 (3) 41301*

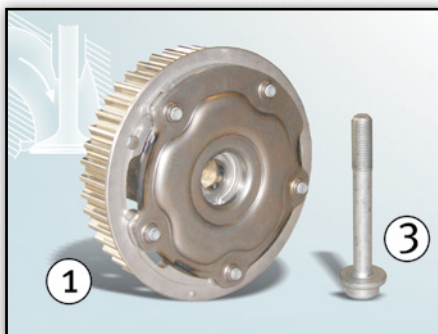


Image 1: Camshaft phasing unit for the intake side 427 1004 10 and central bolt 41301*

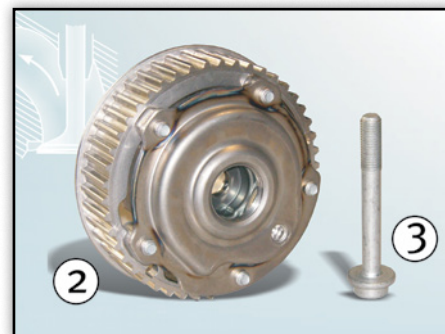


Image 2: Camshaft phasing unit for the outlet side 427 1005 10 and central bolt 41301*

Note:

When replacing the camshaft phasing unit on the intake or outlet sides, the central bolt must also be replaced. The central bolt is a stress bolt and may only be used once.

Key to images:

- (1) 427 1004 10/Intake side
- (2) 427 1005 10/Outlet side
- (3) 41301/Central bolt M10x80*

This bolt is included in the contents of camshaft phasing units 427 1004 10 and 427 1005 10 from Schaeffler Automotive Aftermarket.



Note the specifications of the vehicle manufacturer!

*) Bolt not available separately.

Appropriate spare parts can be found in our on-line catalogue at www.Schaeffler-Aftermarket.com or in RepXpert at www.RepXpert.com.

Any reference to replacement part numbers for vehicle manufacturers is for comparison purposes only.

Issued 07.2010

INA 0062

Subject to technical changes

© 2010 Schaeffler Automotive Aftermarket

For further information:

Phone: +44 (0) 14 32 264 264*

Fax: +44 (0) 14 32 375 760

Info@LuK-AS.co.uk

www.Schaeffler-Aftermarket.com

* Calls from within the UK 08457 001100

