

SIMPLY THE BEST.



With the OAP, you can trust in
the expertise of the inventor.

SCHAEFFLER



FAG

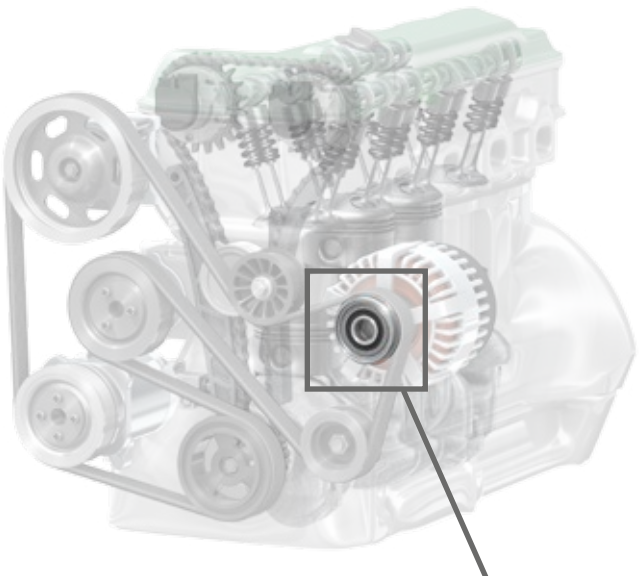


Here's what can be achieved with Overrunning Alternator Pulleys from INA.

Engines in modern vehicles are becoming more and more compact and the range of comfort features is always on the rise, requiring more electrical power. The result is ever more powerful alternators with a greater mass moment of inertia that cause increasingly larger vibrations at the front end auxiliary drive.

A rigid belt pulley on the rotor of the alternator cannot adequately prevent the rotational irregularities since a belt pulley does not allow rotary motion. The constant vibrations often damage the entire front end auxiliary drive – and eventually lead to total engine failure.

In contrast, the INA Overrunning Alternator Pulley (OAP) from Schaeffler decouples the rotor from the rotational irregularities of the engine. The ingenious construction principle of the OAP guarantees a **higher load resistance** from the front end auxiliary drive in addition to **reduced wear**.



INA OAP on the shaft
of the alternator

Rely on expertise and quality!

Since the start of series production in 1996, Schaeffler has produced **more than 250 million OAP units**. Thanks to its **original equipment expertise**, many years of experience and **precise production processes**, Schaeffler has set the current industry standard for the OAP segment.

One in four passenger cars in the world is now fitted with an INA Overrunning Alternator Pulley! This makes Schaeffler the undisputed **world market leader** – not least because the Overrunning Alternator Pulley technology is constantly being developed and optimized.

You can therefore also rely on the **high-quality OAPs** for repairs and for repurposing alternators when it comes to effectively avoiding consequential damage to the front end auxiliary drive.

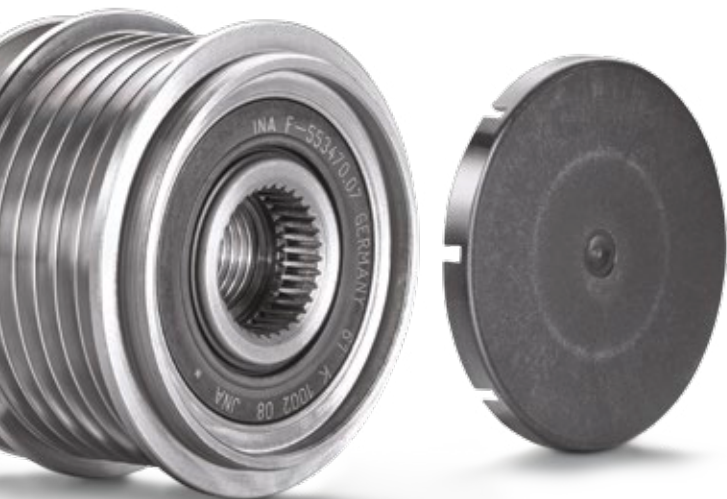


INA OAP benefits at a glance.

- Inventor and world market leader offering unmatched product quality
- Continuous product optimization – currently producing the 7th generation
- Covers all relevant vehicles to enable professional repairs

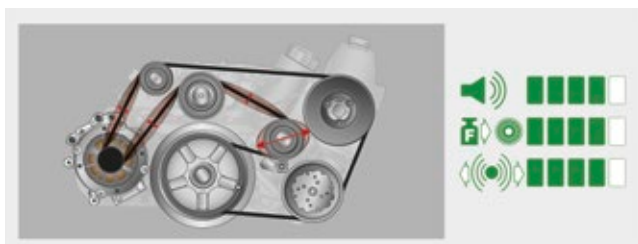
Important:

- OAPs from INA are available individually or as part of the INA FEAD KIT for a total repair of the front end auxiliary drive
- As you would expect, INA also offers the OAD (Overrunning Alternator Decoupler) in addition to the OAP



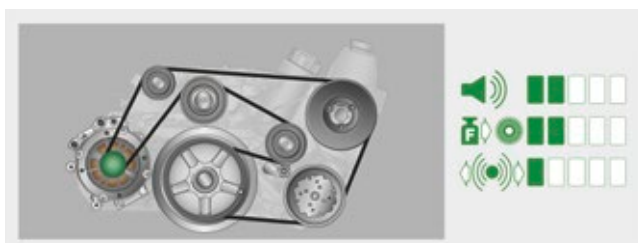
Effects on the engine.

Front End Auxiliary Drive without INA Overrunning Alternator Pulley.



Since the multi-ribbed belt is vibrating, all components in the front end auxiliary drive are subject to stronger forces, resulting in greater wear. The associated damage can ultimately lead to overall system failure.

Front End Auxiliary Drive with INA Overrunning Alternator Pulley.



An INA OAP minimizes vibration of the multi-ribbed belt and thus protects all components in the front end auxiliary drive – doubling their service life.



Noise levels



Application of force on the deflection pulley



Tensioner vibration level

More garage knowledge:
www.rexpert.com